

WILD HORSES

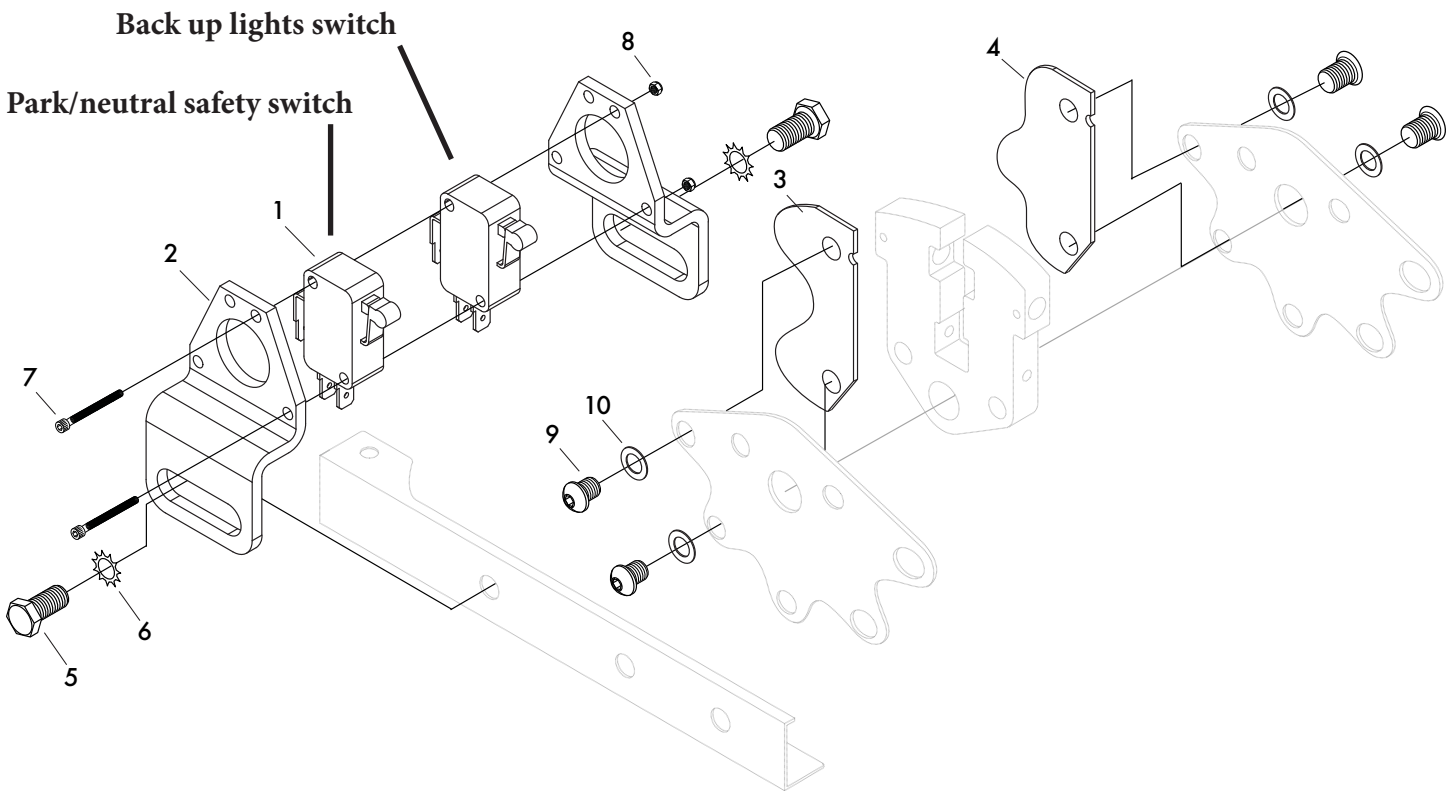
FOUR WHEEL DRIVE

Phone (209) 400-7200 Fax (209) 943-7923 www.wildhorses4x4.com

SAFETY SWITCH KIT P/N 1089-2

Kit Includes:

#	DESCRIPTION	P/N	QTY
1	Switch	12118	2
2	Bracket, Switch	12108	2
3	Cam, Park & Neutral	12133	1
4	Cam, Reverse	12132	1
5	1/4-20 x 1/2" HHCS	7941	2
6	1/4" Int/Ext Lockwasher	7937	2
7	4-40 x 1 1/4" SHCS	8995	2
8	4-40 Nyloc Nut	8996	2
9	5/16-24 x 3/8" BHCS	8391	4
10	5/16" Washer	7196	4



Switch wiring

